



- 20 mm of travel
- 10 kg load capacity
- 20 kg peak thrust
- Up to 48 mm/s speed
- 55 mm retracted height

VSR Vertical Lift Stage

Product Description

Zaber's VSR vertical lift stage is a stepper actuator driven platform capable of moving a 10 kg load. It delivers exceptional travel and load capacity for its compact size, measuring only 55 mm tall when closed. Its small footprint also allows it to mount directly onto Zaber's LST and LSQ Series of linear stages. The VSR stage is designed for plug-and-play use with Zaber's A-MCA and A-MCB2 controllers.

Installation

The VSR can mount to any standard optical breadboard with 1 inch or 25 mm spacing. A DB-15 cable connects the VSR to any standalone Zaber controller. The VSR controller can be daisy-chained with other Zaber devices and controllers for easy communication and minimal cable clutter.

Computer Control

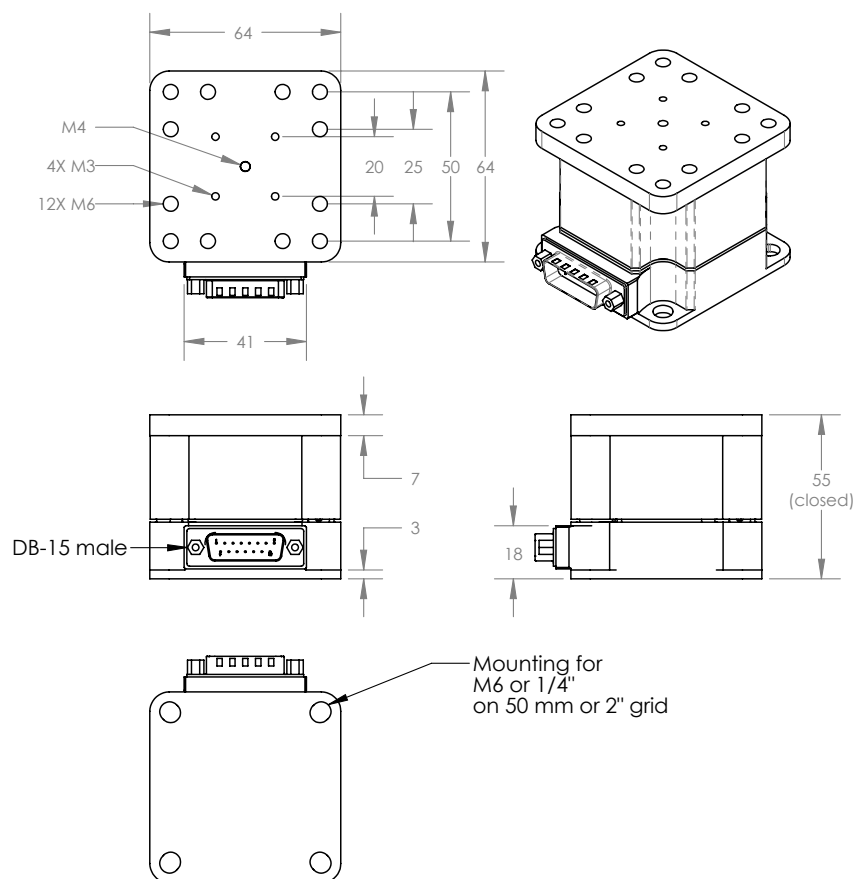
We provide free software so you can easily control your Zaber devices. Simply select the device you want to move, select a command (like "move absolute"), and enter the desired position. After the move, the stage reports its new position. Built-in scripting allows you to easily set up complex automation routines. We also provide all of our source code so that you can customize our software for your application.

Manual Control

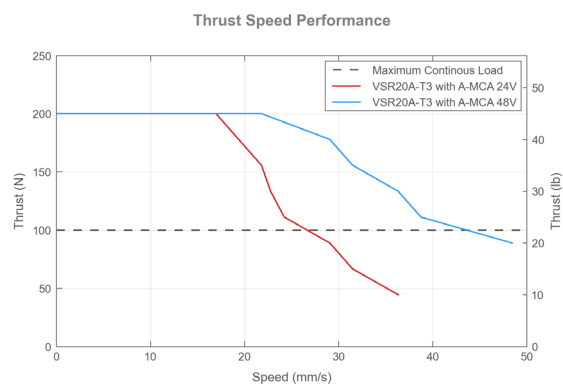
A convenient knob on the controller permits smooth manual control at variable speeds in both directions. During a manual move the stage's position is constantly transmitted to the computer and is displayed by the software. The knob allows you to use each stage even without a computer.

VSR Dimensions

Measurements in millimetres (mm)



VSR Performance Charts



VSR Specifications

Model	Travel Range (mm)	Microstep Size (Resolution) (μm)	Accuracy (μm)	Repeatability (μm)	Backlash (No Load) (μm)	Maximum Speed (mm/s)	Peak Thrust (N)	Maximum Continuous Thrust (N)	Weight (kg)
VSR20A-T3	20	0.095	35	< 1	< 35	48	200	100	0.55

1. Additional specs available at www.zaber.com.