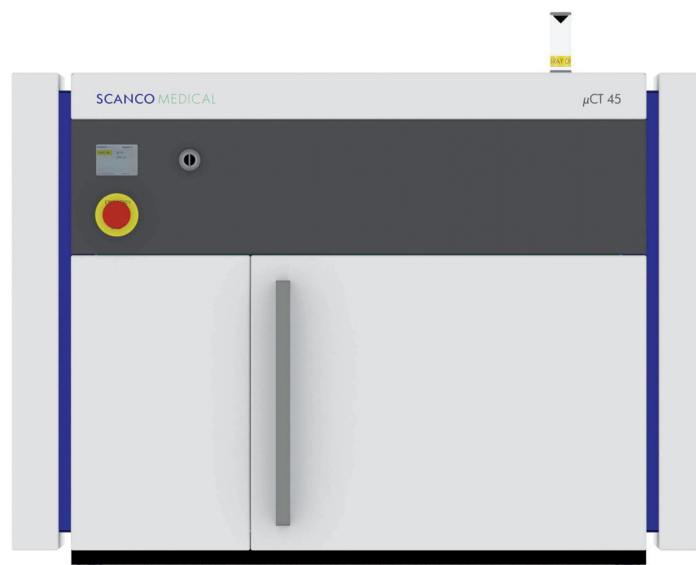


μ CT 45

μ CT 90

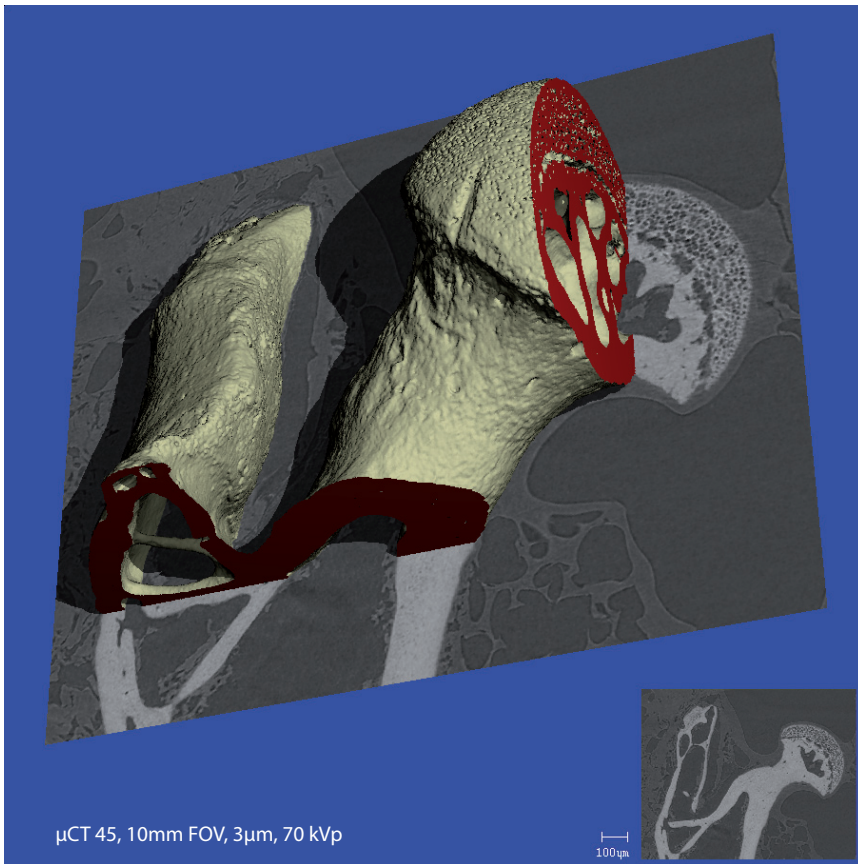
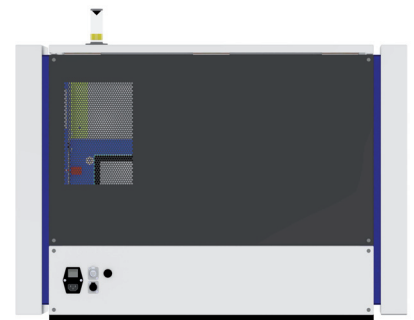
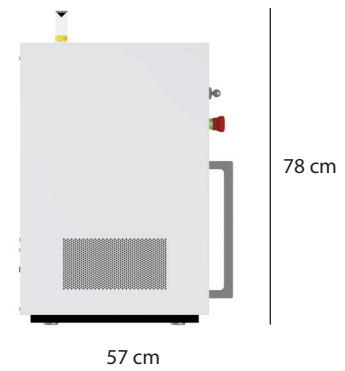
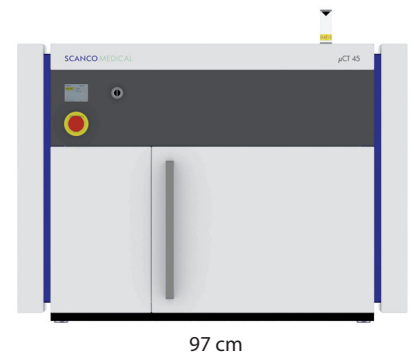


SCANCO MEDICAL

Specifications

Systems

	μCT 45	μCT 90
Geometry	Cone-Beam	Cone-Beam
Peak Energy	30-90 kVp	30-90 kVp
Focal Spotsize	5/7 μm (@4/8 W)	5/7 μm (@4/8 W)
Filter Changer (3 positions)	optional	optional
Scan Diameter	10-50 mm	10-90 mm
Max. Scan Length / Height	120 mm	120 mm
Max. Sample Ø / Height	50/120 mm	90/120 mm
Automatic Sample Changer	up to 20 holders with multiple specimens up to 5 cm Ø	up to 16 holders with multiple specimens up to 9 cm Ø
Resolution (Nominal /10% MTF)	1.25 μm / <5 μm	2.2 μm / <8 μm
Image Matrix :	from 512 x 512 to 8192x8192	512 x 512 8192x8192
Options:	compression/tension and cooling device	



Computing

HP Integrity Server, 64 bit	rx2800
RAM	32 to 368 GB
CPU/cores	1 to 2/4 to 16
Disks	5 TB to multiple TB
Optional GPU for reconstruction	HP Z4/Z8 with Pascal GPUs
Clustering of multiple rx2800 possible to enhance throughput	

SCANCO Medical AG
Fabrikweg 2
8306 Brüttisellen
Switzerland
tel +41 44 805 98 00
fax +41 44 805 98 01

SCANCO USA, Inc.
P.O. Box 646
Southeastern, PA 19399
USA
tel 610 688 1440
fax 610 688 4976

